

## Type 633-AC



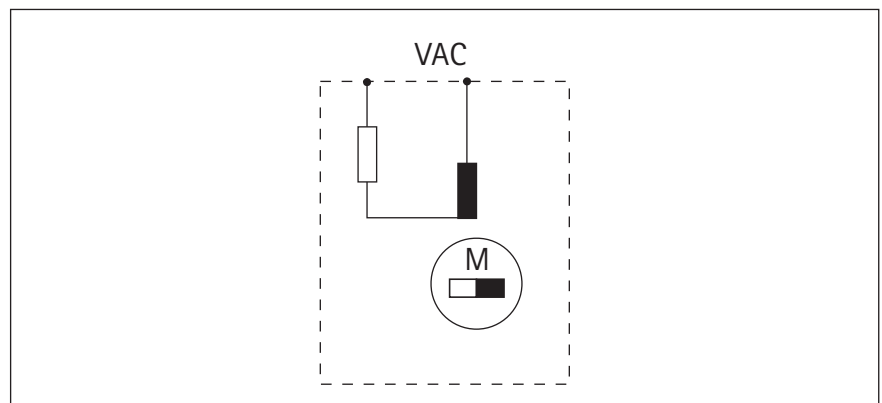
### TECHNICAL DATA

## Time Counter mini "h", AC Version

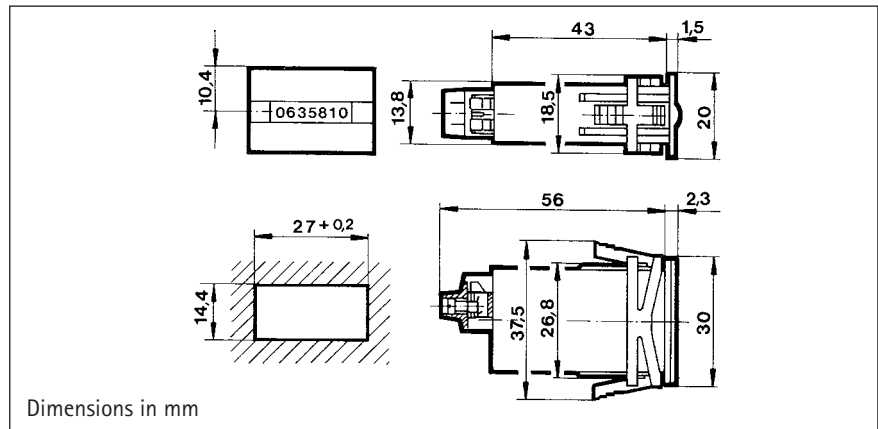
- Miniature dimensions
- Low power consumption
- Quiet operation
- Protection class IP 65

Display	6-digit, 0 ... 99999.9 h
Digit height	4 mm, visual
Supply voltage $V_{op}$	acc. to order information, tolerance + 10 %
Power consumption	24 V 0.08 VA, 115 V 0.56 VA, 220 V 1 VA
Operating temperature	- 10 ... + 50 °C
Storage temperature	- 25 ... + 70 °C
Humidity	75 %, without condensation
El. connection	depending on version screw terminal connection for cables up to 2.5 mm <sup>2</sup> or 250 mm long connecting cable, AWG 28 or AMP 2.8 x 0.8 mm
Mounting	with clamping frame
Mounting position	horizontal figure wheel shaft
Protection class (DIN 4050)	Version .8: front IP 66, connections IP 40 (touchproof)
Vibro stability	30 m/s <sup>2</sup> (10 - 500 Hz) acc. to IEC 068-2-6
Shock stability	800 m/s <sup>2</sup> (6 ms) acc. to IEC 068-2-27
General design	acc. to DIN VDE 0700; insulation group C (VDE 0110), protection class II
Noise level	approx. 40 dB (distance 25 cm)
Reset	none

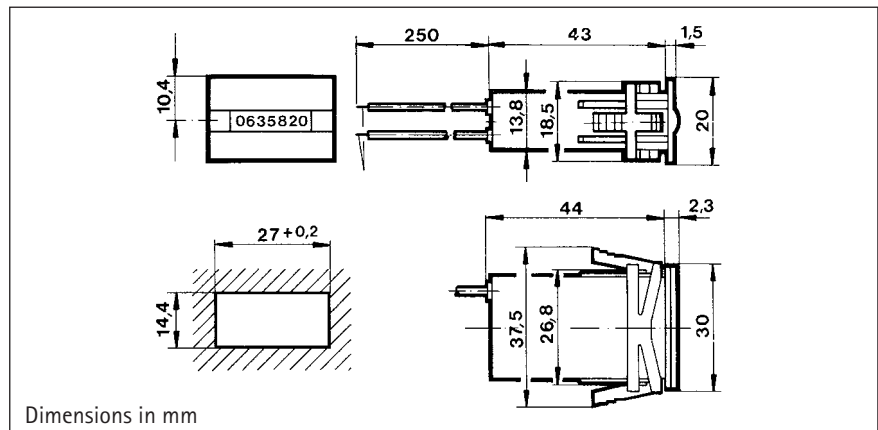
### CONNECTION DIAGRAM



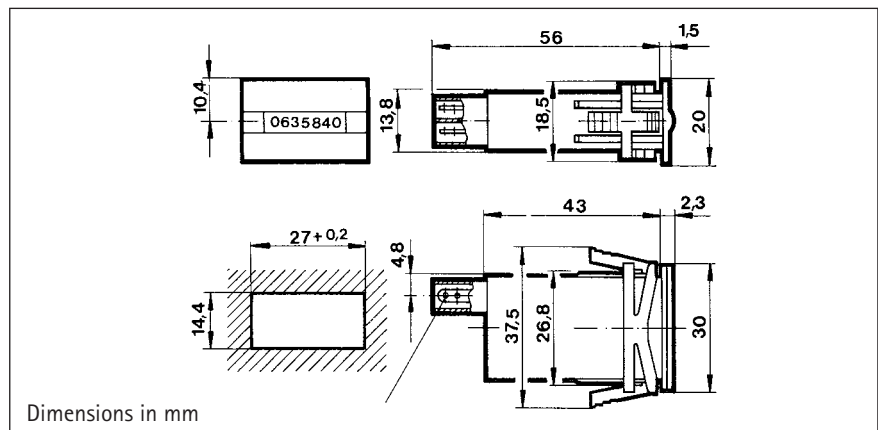
## DIMENSIONS Screw terminals



## Connecting cable



## AMP connector



## ORDER INFORMATION

### Counter

Voltage	Screw terminals	Connecting cable
24 V 50 Hz	0 633 811	0 633 821
115 V 50 Hz	0 633 813	0 633 823
115 V 60 Hz	0 633 814	0 633 824
220 V 50 Hz	0 633 815	0 633 825

Other voltages on request

### Accessories

panel frame 24x36 mm (insert dimensions 22 x 36 mm) Ordering code 1 405 674