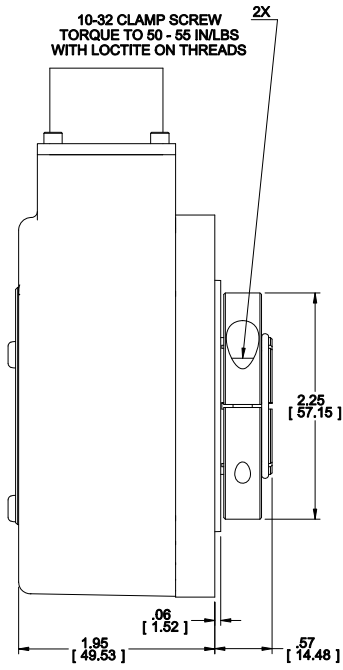


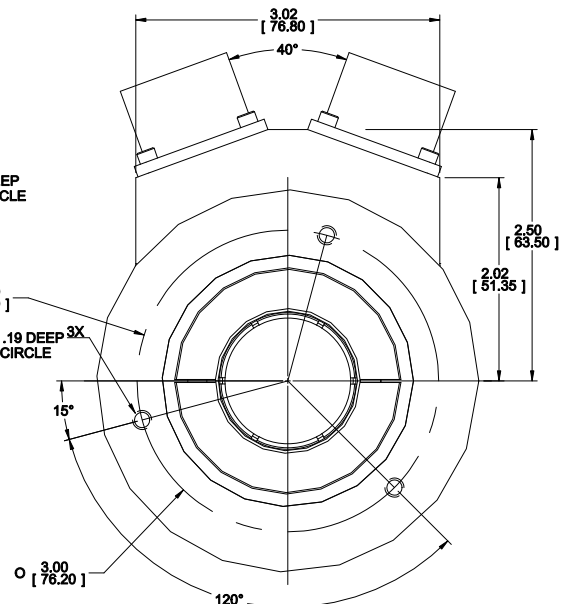
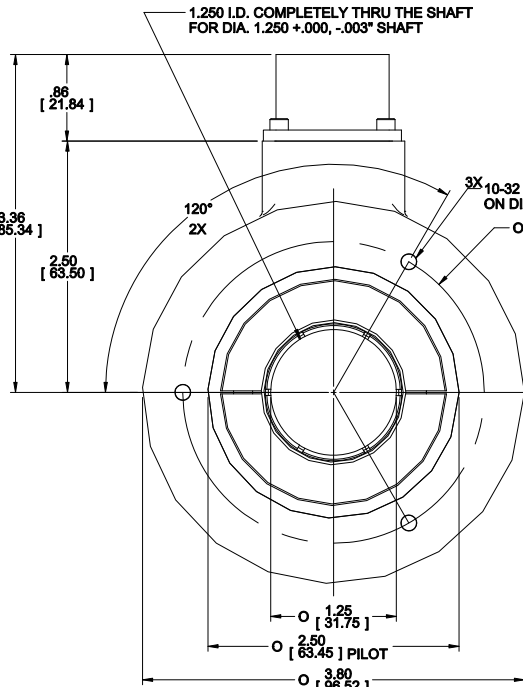
Series HS35R

HARSH DUTY HOLLOWSHAFT ENCODER

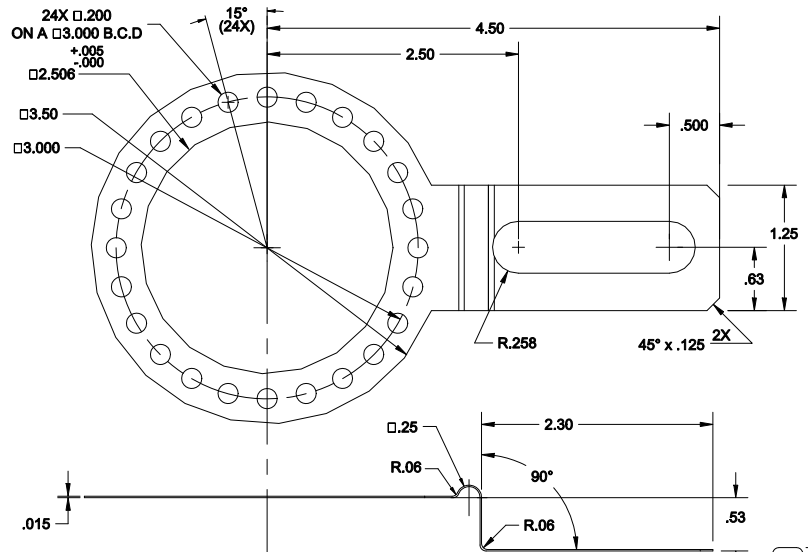
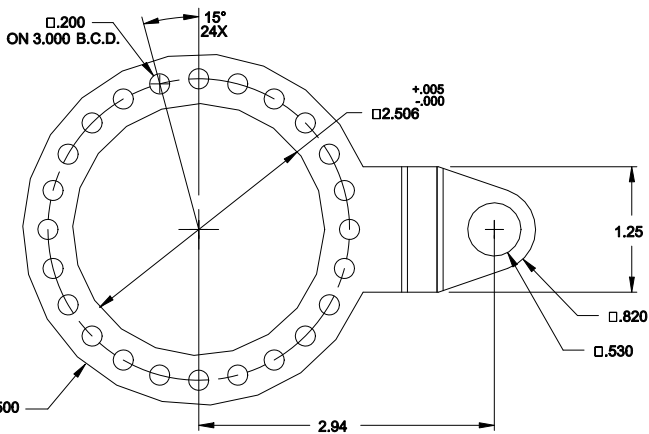
Meets Stringent Washdown Requirements



SHOWN WITH 10 PIN CONNECTOR FOR REFERENCE

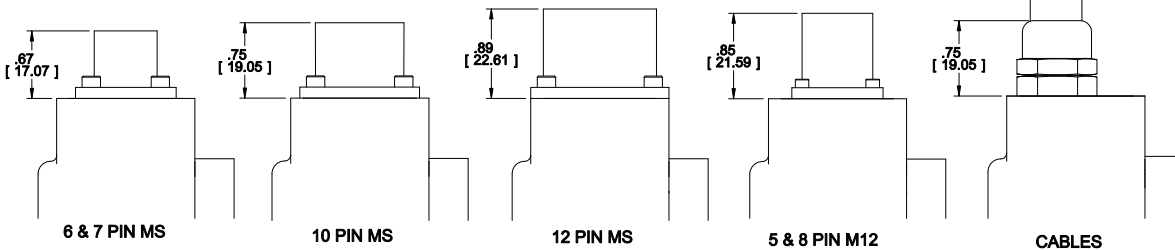


OPTIONAL DUAL OUTPUT COVER SHOWN WITH 10 PIN CONNECTORS FOR REFERENCE

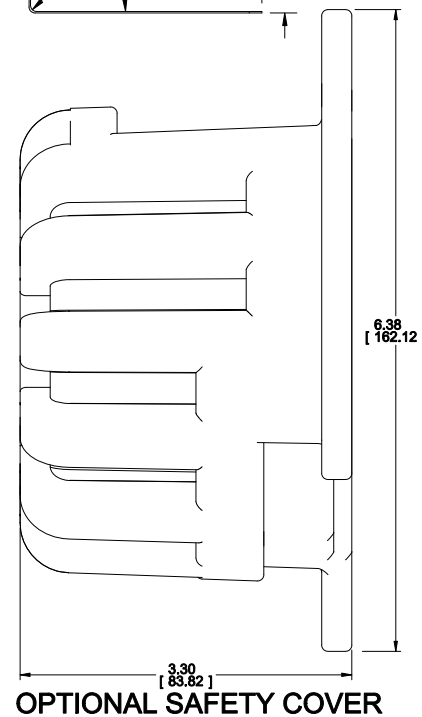
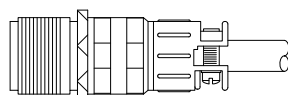


SLOTTED TETHER SUPPLIED WITH ADAPTOR BUSHINGS FROM 0.25 TO 0.375 INDEXABLE IN 15 INCREMENTS

SINGLE POINT TETHERS SUPPLIED WITH ADAPTOR BUSHINGS FROM 0.25 TO 0.375 INDEXABLE IN 15 INCREMENTS



PIGTAIL WITH MS CONNECTOR (OPTION K)



OPTIONAL SAFETY COVER