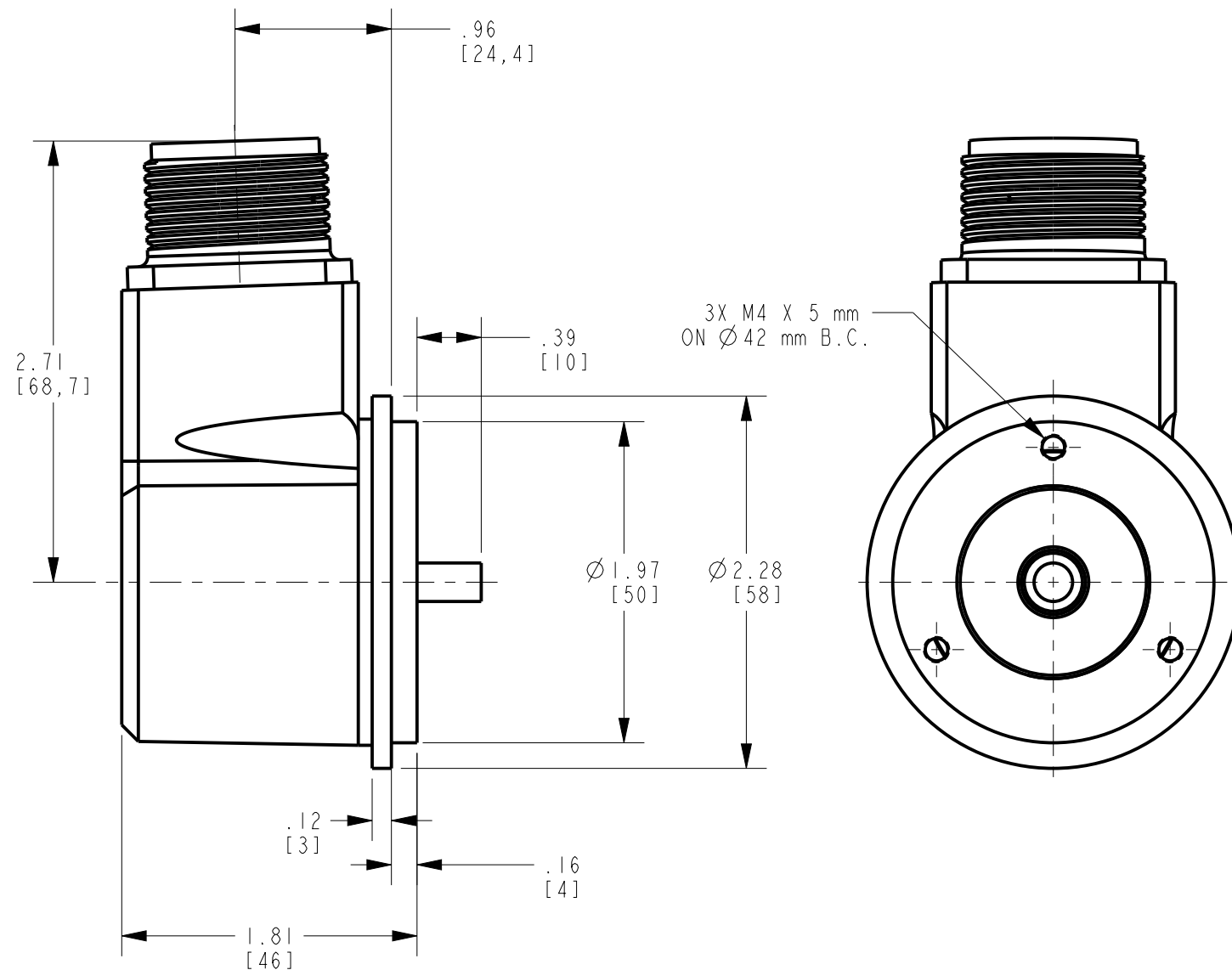


REV	ECN	DATE	APPROVED



ELECTRICAL CONNECTIONS

ENCODER FUNCTION	PIN	WIRE COLOR
SIG. A	A	BRN
SIG. B	B	ORN
SIG. Z	C	YEL
POWER +V	D	RED
N/C	E	-
COM	F	BLK
CASE	G	GRN
SIG. A/	H	BRN/WHT
SIG. B/	I	ORN/WHT
SIG. Z/	J	YEL/WHT

ELECTRICAL

CODE..... INCREMENTAL
PULSES PER REVOLUTION 1 TO 2540
PHASING SENSE A LEADS B FOR CCW ROTATION
VIEWING SHAFT END OF THE ENCODER
QUADRATURE PHASING 90°±22.5°
SYMMETRY 180°±18° ELECTRICAL
INDEX 180°±18° ELECTRICAL (GATED WITH B CHANNEL LOW)
INPUT POWER REQUIREMENTS..... 4.5 MIN. TO 26 VDC AT 80mA MAX.
OUTPUT SIGNAL 7272 PUSH-PULL AND DIFFERENTIAL LINE DRIVER.,
40mA SINK OR SOURCE.
4469 DIFFERENTIAL LINE DRIVER: 100mA SINK OR SOURCE.
FREQUENCY RESPONSE 100kHz MIN.
NOISE IMMUNITY TESTED TO EN61326 (INDUSTRIAL) FOR
ELECTRO STATIC DISCHARGE, RADIO FREQUENCY
INTERFERENCE, ELECTRICAL FAST TRANSIENTS,
CONDUCTED AND MAGNETIC INTERFERENCE.

MECHANICAL

WEIGHT..... 283g. (10oz.) MAX.
STARTING TORQUE WITHOUT SHAFT SEAL: 0.007 N-m;
WITH SHAFT SEAL: 0.014 N-m
MOMENT OF INERTIA..... 21.2 g-cm2
SHAFT SPEED
RESOLUTION UP TO 1024..... 10,000 RPM MAX.
RESOLUTION OVER 1024..... 5,000 RPM MAX.

SHAFT LOADING:

(AT 6mm FROM ENCODER FACE)
RESOLUTION UP TO 1024..... 356 N RADIAL, AXIAL
RESOLUTION OVER 1024..... 178 N RADIAL, AXIAL

ENVIRONMENTAL

OPERATING TEMPERATURE 0° TO + 70°C (STD. TEMP. MODELS)
-40 TO +85°C (EXTENDED TEMP. MODELS)
DERATE 5°C/1000 RPM ABOVE 1800 RPM
STORAGE TEMPERATURE RANGE..... -40° TO +90°C
SHOCK 50 G's FOR 11 MILLISECOND DURATION
VIBRATION 20 G's AT 5 TO 2000 Hz
HUMIDITY TO 98% WITHOUT CONDENSATION
ENCLOSURE RATING NEMA12/IP54 (DIRT TIGHT, SPLASHPROOF)
NEMA4/IP66 (DUST PROOF, WASHDOWN
WHEN ORDERED WITH SHAFT SEAL AND EITHER MS CONNECTOR
OR WATERTIGHT CABLE EXIT

TOLERANCES UNLESS INDICATED:			UNITS: INCH [mm]		TITLE OUTLINE AND SPECIFICATION, MS CONN.				
.XXX	.XX	ANGLES	MATERIAL:		FILE NAME:	SCALE:	COMPLIANCE REQUIRED		
±	±	±	FINISH:		703040-0001	H58	<input type="checkbox"/> UL <input type="checkbox"/> CSA <input type="checkbox"/> CE <input type="checkbox"/> TUV <input type="checkbox"/> FCC <input type="checkbox"/> VCCI <input checked="" type="checkbox"/> RoHS <input type="checkbox"/> ATEX		
.005	.01	1/2°	/		DRAWN:	DATE:	PRO/E MODEL: 703040-0001.ASM		
			© 2012 D.T.C. "B" SIZE		AJ	06/12/12	APPLICATION: H58		
			DYNAPAR™		CHECKED:	DATE:	DRAWING NUMBER		
					RELEASED:	DATE:	703040-0001		
					AJ	06/12/12	REV		
								-	